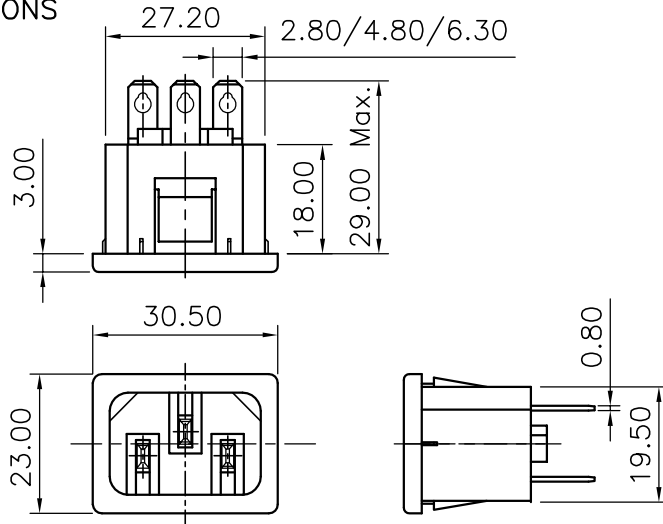
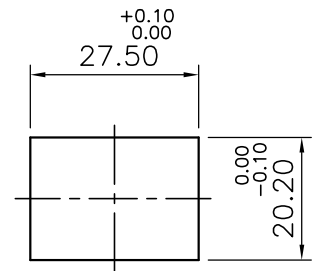


BASIC DIMENSIONS



PANEL CUTOUT




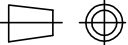
SPECIFICATION TABLE

SR.NO.	PARAMETER	SPECIFICATION	
1	V/A Rating	10A 250V AC (VDE) 15A 250V AC (UL, C,US)	
2	Contact Resistance (Initial)	10 mohms max.	
3	Insulation Resistance At 500 V DC	1000 Mohms min.	
4	H.V.Break Down Test (For 1-Minute)	2 KV AC	
5	Panel Thickness Other : Available on request	Standard : 1.5 Other : 1.0(A), 1.2(B), 1.8(D), 2.0(E), 2.5(G), 3.0(J)	
6	Mounting	Panel, Snap-in type	
7	Terminals	Solder-type / Fast-On, 4.8 or 6.3	
8	Permissible Temp	(a) With/Without Load	0 To 70°C
		(b) For Soldering	270°C for 5 Sec. max.
9	Material	(a) Body	Nylon
		Body, flame retardant	Nylon-6, V2 GF20%
		(b) Terminals	Brass, Tin plating
		(c) Contacts	Brass / Copper, Nickel plating
10	Reference Standard	IEC 60320-1, UL-498, CSA : C22.2 No.182.3	

ORDERING CODE

SR. NO.	TYPE	CODE *	APPROVALS
1	4.80 X 0.80 Terminals, Flame retardant body material	EMI-10	VDE, UL(C,US), CE, RoHS Complied
2	2.80 X 0.80 Terminals (Without Earth pin)	EMI-10-T2-1	-
3	6.30 X 0.80 Terminals, Flame retardant body material	EMI-10-T5	VDE, UL(C,US), CE, RoHS Complied
4	2.80 X 0.80 Terminals, Flame retardant body material	EMI-10-T2	VDE, UL(C,US), CE, RoHS Complied

* : Unspecified panel thickness is 1.5, For other panel thickness, please add the suffix at location "X" starting with respective panel thickness code.
 For Example : EMI-10-B (for 1.20 mm snap against Sr.No. 1)

						PRODUCT : MAINS INLETS			CODE : EMI-10-X (Series)		
2	Variety addition - T2	25.11.11	PBM	APP	18.05.06	SBP	 ELCOM HOUSE M.B.LOHIA MARG 413/1/1-A, GANDHINAGAR KOLHAPUR-416 119				
1	Redrawn	02.02.11	PBM	CHK	18.05.06	Vikas					
REV	IS	WAS	DATE	SIGN	APP.	BY		SNV			
				DATE	SIGN	Elcom International Pvt. Ltd.					
UNSP.TOLERANCE		DIMNS. IN	WT(Gm)	SCALE:-		PROJECTION	SHEET	DRAWING NUMBER			
OVER	-	1	10	mm	Max.	NTS.	 1 OF 1	P E M I 2 0 1 0			
UP TO	1	10	-	Moulding, plating details as per Bill of Material				REVISION			
±	0.2	0.3	0.5	Unspecified colour is Black, GF:Glass filled.				2			