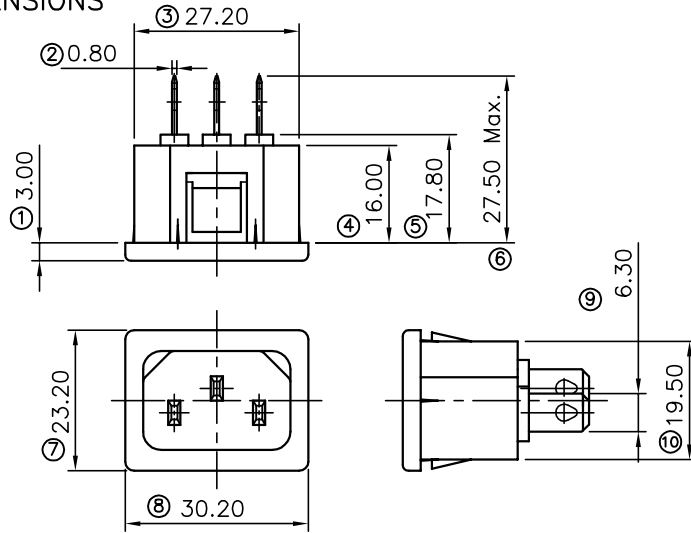
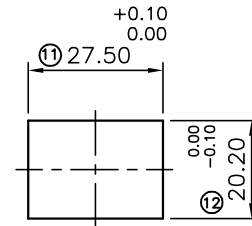


BASIC DIMENSIONS



PANEL CUTOUT



SPECIFICATION TABLE


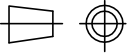
SR.NO.	PARAMETER		RAMARKS.
1	V/A Rating		10A 250V AC (VDE) 15A 250V AC (UL, C,US)
2	Contact resistance (Initial)		10 mohms max.
3	Insulation resistance at 500 V DC		1000 Mohms min.
4	H.V.Break down test (For 1minute)		2 KV AC
5	Panel thickness (Max.) Other : Available on request		Standard : 1.5 Other: 1.0(A), 1.2(B), 1.8(D), 2.0(E), 2.5(G), 3.0(J)
6	Mounting		Panel, Snap-in type
7	Terminals		Solder-type / Fast-on 4.8 or 6.3
8	Permissible temp.	(a)With/Without load	0 To 70°C
		(b)For Soldering	270°C for 5 Sec max.
9	Material	(a)Body	Nylon
		Body, Flame retardant	Nylon-6, GF20%, V2
		(b)Contacts, Terminals	Brass, Tin plating
10	Reference standard		IEC 60320-1, UL-489, CSA : C22.2 No.182.3

ORDERING CODE

SR. NO.	TYPE	CODE*	APPROVALS
1	6.30 X 0.80 Terminals, Flame retardant body material	EMI-14-T5	VDE, UL(C,US), CE RoHS Complied

\* : Unspecified panel thickness is 1.5, For other panel thickness, please add the suffix at location "X" starting with respective panel thickness code.

For Example : EMI-14-DT5 (for 1.80 mm snap against Sr.No. 1)

						PRODUCT : <b>MAINS INLETS</b>			CODE : <b>EMI-14-X (Series)</b>		
2	4.8 variety deleted	09.05.11	PBM	APP	18.05.06	SBP	 ELCOM HOUSE M.B.LOHIA MARG 413/1/1-A, GANDHINAGAR KOLHAPUR-416 119	Elcom International Pvt. Ltd.			
1	Redrawn	02.02.11	PBM	CHK	18.05.06	SNV					
REV	IS	WAS	DATE	SIGN	APP.	BY					DATE
UNSP.TOLERANCE			DIMNS. IN	WT(Gm)	SCALE:-		PROJECTION	SHEET	DRAWING NUMBER		
OVER	-	1	10	mm	Max.		NTS.	 1 OF 1	P E M I 2 0 1 4		
UP TO	±	0.2	0.3	0.5	Moulding, plating details as per Bill of Material Unspecified colour is Black, GF:Glass filled.				REVISION 2		