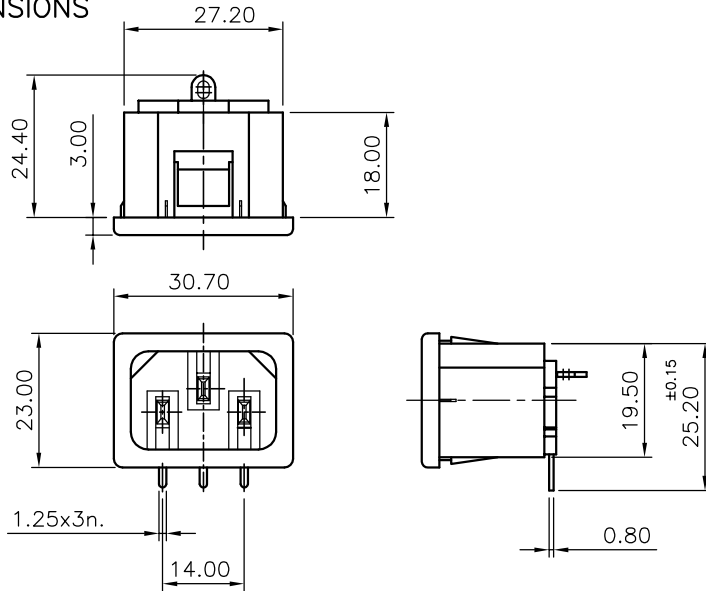
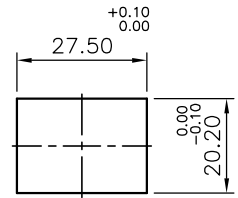


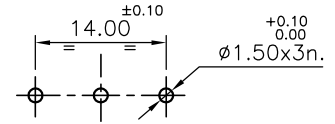
BASIC DIMENSIONS



PANEL CUTOUT



PCB HOLE LAYOUT



SPECIFICATION TABLE


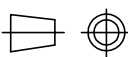
SR.NO.	PARAMETER	SPECIFICATIONS	
1	V/A Rating	10A 250V AC (VDE) 15A 250V AC (UL,C,US)	
2	Contact resistance (Initial)	10 mohms max.	
3	Insulation resistance at 500 V DC	1000 Mohms min.	
4	H.V.Break down test (For 1minute)	2 KV AC	
5	Panel thickness (Max.)	Standard : 1.5 Other : Available on request	
6	Mounting	PCB OR Panel, Snap-in type	
7	Terminals	Solder-type	
8	Permissible temp.	(a)With/Without load	0 To 70°C
		(b)For Soldering	270°C for 5 Sec. max.
9	Material	(a)Body	Nylon
		Body, Flame retardant	Nylon-6, GF20%, V2
		(b) Terminals	Brass, Tin plating
	(C) Contacts	Brass/Copper, Nickel plating	
10	Reference standards	IEC 60320-1, UL-498, CSA : C22.2 No.182.3	

ORDERING CODE

SR. NO.	TYPE	CODE*	APPROVALS
1	Flame retardant body material	EMI-30	VDE, UL(C,US), CE RoHS Complied

\* : Unspecified panel thickness is 1.5, For other panel thickness, please add the suffix at location "X" starting with respective panel thickness code.

For Example : EMI-30-B (for 1.20 mm snap against Sr.No. 1)

PRODUCT : MAINS INLETS										CODE : EMI-30-X (Series) <sup>(A)</sup>	
1	Redrawn		03.02.11		PBM	APP	31.05.08	PBM			 ELCOM HOUSE M.B.LOHIA MARG 413/1/1-A, GANDHINAGAR KOLHAPUR-416 119 Elcom International Pvt. Ltd.
A	EMI-30Series	EMI-32-V2	03.02.09	UJ	PBM	DRN	31.05.08	UJ			
REV	IS	WAS	DATE	SIGN	APP.	BY	DATE	SIGN			
UNSP.TOLERANCE		DIMNS. IN mm		WT(Gm) Max.		SCALE:- NTS.		PROJECTION		DRAWING NUMBER	
OVER	-	1	10					 SHEET 1 OF 1		PEMI 2030	
UP TO	1	10	-	Moulding, plating details as per Bill of Material						REVISION R2	
±	0.2	0.3	0.5	Unspecified colour is Black, GF:Glass filled.							