

EP15 Piezo Switch

22mm

Ø 26mm

17.8mm

IP68



Ø 25mm

18.4mm

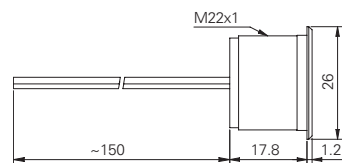
IP69K

Specification

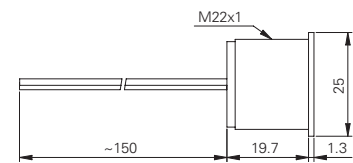
Termination	15cm flying leads
Switching function	Momentary
Configuration of poles	Single
Maximum load	100mA, 35VDC
Contact resistance	100 mΩ
Insulation resistance	> 10 ⁹ Ω
Operating temperature	-40°C to +85°C
Ingress protection	IP66, IP68 (EN 60529); IP69K (DIN 4050)
Duty cycle	1,000,000 (min)
Operating force	< 3N
Nut mounting torque	2.5Nm
Panel thickness	0.5 to 13.0mm
Body & button material	See ordering information

Product Dimensions

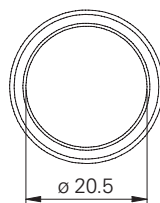
Finger guided



Flat



Front view (guided)

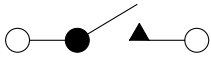


All dimensions in mm

Engelking

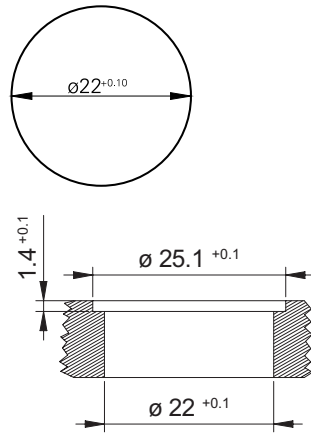
EP15 Piezo Switch

Circuit Diagram



Form A

Mounting Dimensions



All dimensions in mm

Ordering information

Material

- AN:** Natural anodised aluminium
- AR:** Red anodised aluminium
- AB:** Blue anodised aluminium
- AY:** Yellow anodised aluminium
- AG:** Green anodised aluminium

Head Style

- F:** Flat
- G:** Finger guided

EP15/ / /M/S/L1

Engelking Elektronik GmbH

Albstr. 16 · D-78609 Tuningen · Germany
Tel. +49 (0)7464-9865-0 · Fax +49 (0)7464-9865-71
info@engelking.de · www.engelking.de