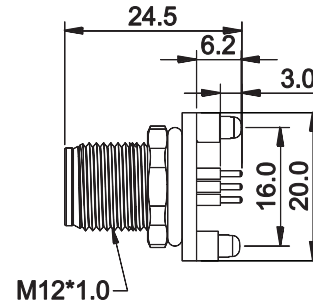


Male panel connector

Product figure (M12*1.0 front fastened DIP with location)



Scale diagram



Contact layout (Front view)

3pins

A



4pins

A



5pins

A



8pins

A



12pins

A



17pins

A



5pins

B



4pins

D



Order Data

Contacts	Coding	Order No
2pins	A	M12A02/MF4/BN/TP
3pins	A	M12A03/MF4/BN/TP
4pins	A	M12A04/MF4/BN/TP
	D	M12D04/MF4/BN/TP
5pins	A	M12A05/MF4/BN/TP
	B	M12B05/MF4/BN/TP
8pins	A	M12A08/MF4/BN/TP
12pins	A	M12A12/MF4/BN/TP
17pins	A	M12A17/MF4/BN/TP

Specifications

Number of contacts	3	4	5	8	12	17
Termination	PCB					
Wire gauge	—					
Operating temperature	-25°C ~ +85°C					
Mechanical operation	> 100 mating cycles					
Rated voltage	250V		60V		30V	
Rated current (40°C)	4A			2A		1.5A
Protection degree	IP67/IP68					
Contact resistance	< 10mΩ					
Insulation resistance	≥ 100MΩ					
Pin contact	CuZn					
Socket contact	CuSn					
Contact plating	Au					