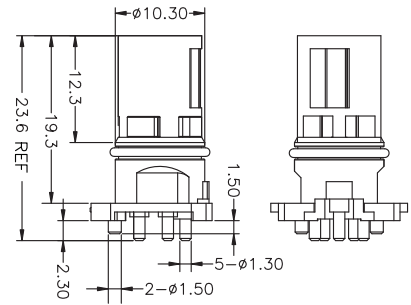


## M12 L-coding Male THR

Product figure



Scale diagram



Contact layout (Front view)

4+FE

L



### Order Data

Contacts	Coding	Order No
5pins	L	M12L4F/MLP/NA/TH

### Specifications

Number of contacts	5
Termination	THR
Wire gauge	—
Operating temperature	-25°C ~ +85°C
Mechanical operation	> 100 mating cycles
Rated voltage	63V
Rated current (40°C)	16A
Protection degree	IP67
Contact resistance	< 10mΩ
Insulation resistance	≥ 100MΩ
Pin contact	CuZn
Socket contact	CuSn
Contact plating	Au