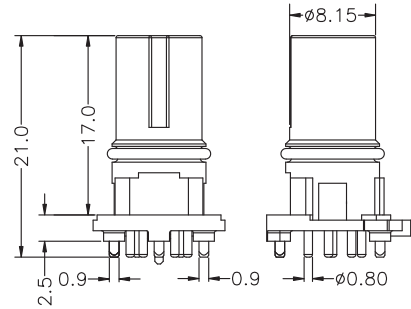


## M12 A-coding Female THR

Product figure



Scale diagram



Contact layout (Front view)

4pins

D



5pins

A



5pins

B



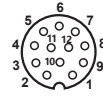
8pins

A



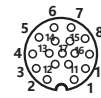
12pins

A



17pins

A



### Order Data

Contacts	Coding	Order No
4pins	D	M12D04/FLP/NA/TH
5pins	A	M12A05/FLP/NA/TH
	B	M12B05/FLP/NA/TH
8pins	A	M12A08/FLP/NA/TH
12pins	A	M12A12/FLP/NA/TH
17pins	A	M12A17/FLP/NA/TH

### Specifications

Number of contacts	4	5	8	12	17
Termination	THR				
Wire gauge	—				
Operating temperature	-25°C ~ +85°C				
Mechanical operation	> 100 mating cycles				
Rated voltage	250V	60V	30V		
Rated current (40°C)	4A		2A	1.5A	
Protection degree	IP67				
Contact resistance	< 10mΩ				
Insulation resistance	≥ 100MΩ				
Pin contact	CuZn				
Socket contact	CuSn				
Contact plating	Au				