

# 8500 Rocker Switches - Miniature 10A 250Vac Single & Double Pole



ARS8500VB13NBBH000

- ▶ Miniature rocker switch
- ▶ Ratings up to 15A, 250Vac
- ▶ High inrush tolerance
- ▶ Single & double pole in same body size
- ▶ Illuminated & non-illuminated
- ▶ Matching indicators
- ▶ Industry standard panel cut-out
- ▶ Rotary and push button actuator options
- ▶ Panel cut out: 19.3 x 12.9



10(6)A 250Vac T125 (non lit types)  
6(4)A 250Vac T125 5E4 (50,000 Operations) (non lit types)  
10(6)A 250Vac T100 (lit types)



UL CSA 15A Non Ind 250Vac, 14A Ind 250Vac, 10A 277Vac  
UL CSA 250Vac 1/2hp, 125Vac 1/4hp  
UL 105°C, file E45221, CSA file LR10990



Inrush 85A to EN61058-1 & 10A 24Vdc



RoHS compliant

3mm contact gap.  
Technical data on pages 4 & 5 (switches), 6 (indicators).

ARS 8500 V B 00 N B B H 000

Function	Rocker	Rocker Colour	Printing	Indicator	Body	Body Colour	Terminal	Options
		B: Black R: Red W: White A: Amber C: Clear 1: Black/Red 2: Black/Green		N: None 1: 125V neon 2: 250V neon 3: 12V filament 4: 24V filament 5: 12V LED 6: 24V LED		B: Black R: Red W: White		

TERMINAL	FUNCTION		ROCKER
<b>H</b>  4.8 x 0.8	Approvals & ratings vary with function	 ON OFF Switches are ON when pressed over terminal 1	<b>H</b> Slotted for custom caps  Slots for snap-in buttons
<b>K</b>  2.8 x 0.8	<b>8500</b>	 ON - OFF Single pole (Uses terminals 1a & 2a)	<b>1</b> Semi-rotary (not lit) 
<b>L</b>  2.8 x 0.8 Right angle version of K terminal available on 8500 only	<b>8503</b>	 ON (lit) - OFF Single pole	<b>D</b> Paddle lever (not lit) 
<b>R</b>  4.8 x 0.8	<b>8550</b>	 ON - OFF Double pole	<b>V</b> Curved (not lit)  <b>V</b> Curved (lit) 
<b>T</b>  4.8 x 0.8	<b>8553</b> 4.8 x 0.8 <b>8580</b> Available with H terminals only	 ON (lit) - OFF Double pole	<b>X</b> Two colour (not lit)  <b>A</b> Softline lens  <b>2</b> Push button operation (8500 only) See drawing opposite



ARS8500VB13NBBH00



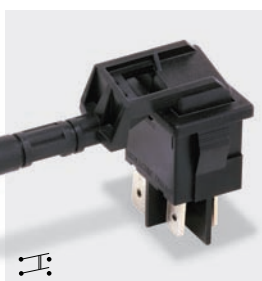
ARS8500VB00NBBH00



ARS8500HB00NBBH00



ARS8500X113NBBH00



ARS85501B00NBBH00



ARS85002B00NBBH00



ARS8553VT002BBH00



ARS8580AR002BBH00

BODY	OPTIONS
------	---------

**B**  
Standard body with terminal barrier

Panel cut-out      Bezel

**Finish**  
Matt finish only.

**Colour**  
Call sales for custom colours. A full range is available for large orders.

**Legend printing**  
Select from the examples or call sales for custom legends.

**Lamp voltage**  
Call sales for details of available voltages.

**C**  
Body without terminal barrier

Panel cut-out      Bezel

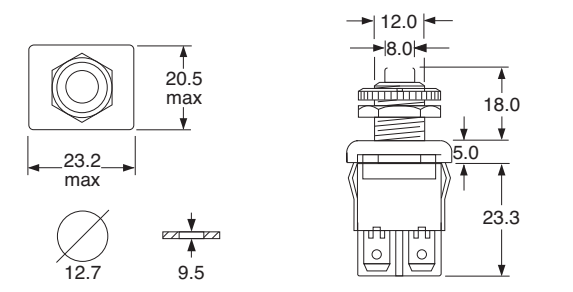
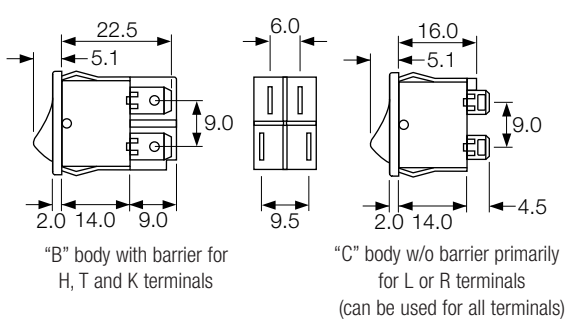
Dimensions for snap-in fixing

**Protective cover L167 (Code: CVR)**  
(designed to IP65)  
Snaps on to bodies with V or X style rockers and A style lens, this reduces maximum acceptable panel thickness to 2.2mm.

Panel thickness	Dim X
0.75-1.25	19.1/19.2
1.25-2.00	19.3/19.4
2.00-3.00	19.7/19.8

Cut-outs must be punched in the direction of insertion

**DIMENSIONS (mm)**



'2' Actuator and body - push button function (8500 only)

**Examples of printing (code)**

